

MV-108T/MV-116T + MV-101R

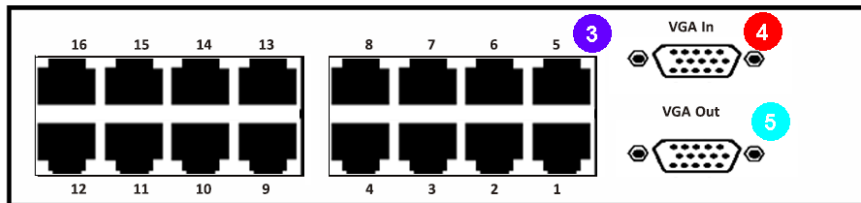
VGA with Power over CAT5 Extender Transmitter

The **MV-108T/116T** is a 8/16 port VGA and Power over CAT5 Extender Transmitter. It transmits VGA video and meanwhile providing power to the MV-101R Receiver over CAT5 UTP cable up to 150 meters. So it is not necessary to add external power supply on the Receiver (MV-101R). It supports local VGA monitor with EDID learning, the Receiver embedded with EQ adjustment features for image turning. This pure hardware and Plug n Play design, not required any software driver, providing the simplest and economic VGA video extension for Digital Signage applications.

MV-108T/MV-116T Transmitter



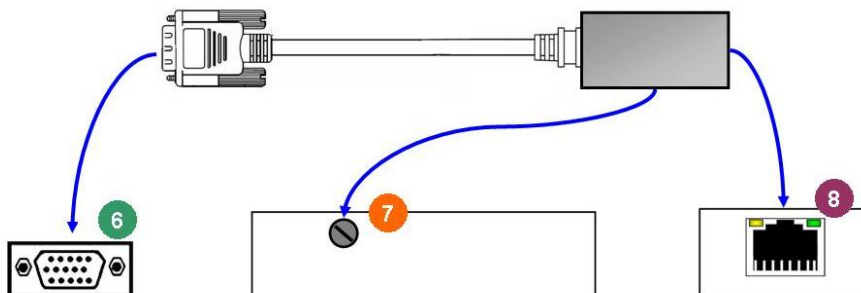
Front



Rear

- 1 Power LED
- 2 AC IN
- 3 16 Ports UTP/STP Out
- 4 VGA In
- 5 VGA Out

MV-101R Receiver



- 6 VGA Out
- 7 EQ Adjust
- 8 UTP/STP In

System Diagram

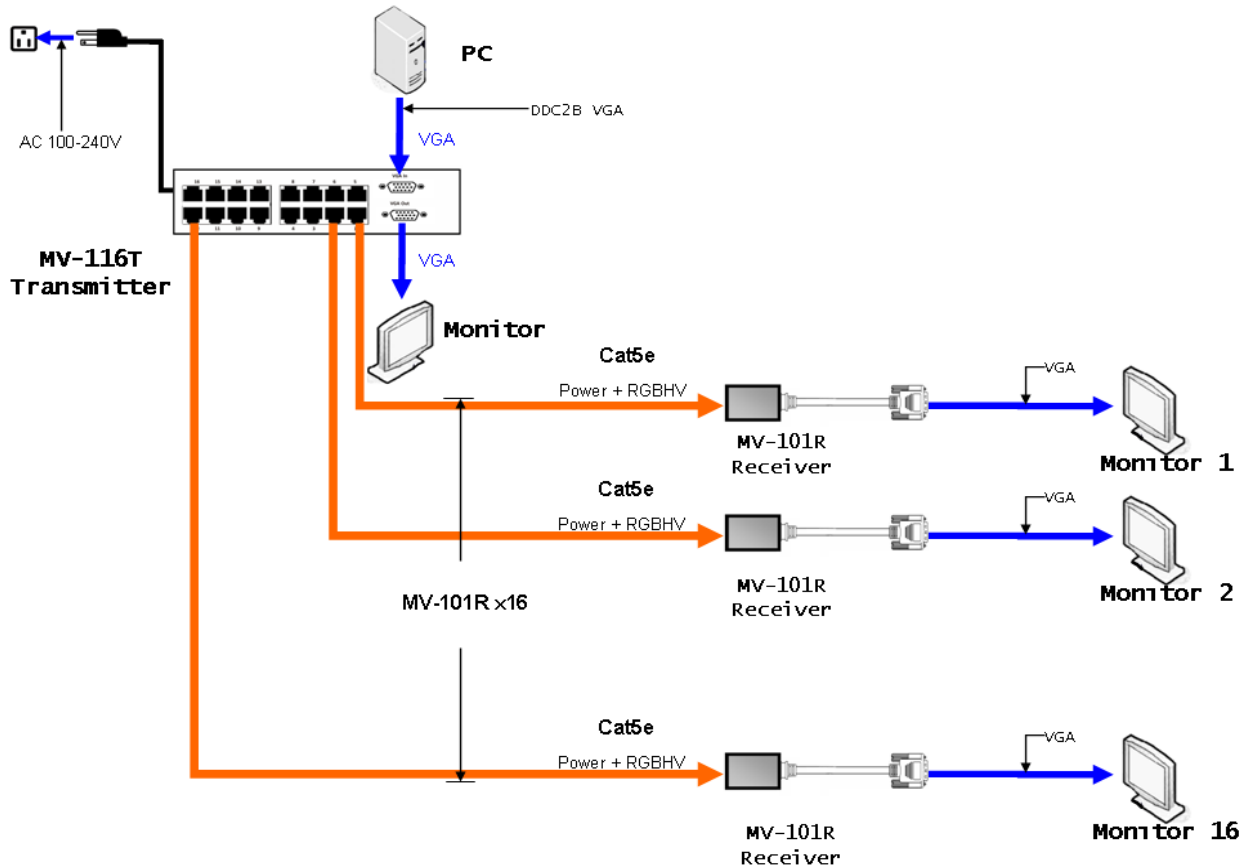


Image Turning

There is a EQ adjustment built-in the MV-101R Receiver. Depending on the UTP cable length, you can adjust the EQ to get the best image clarity.



VGA Resolutions

Resolution	1024x768/1280x1024	1600x1200	1920x1440	2048x1536
UTP distance	150m	100m	60m	40m

Specification

Model	MV-108T (8-port TX)	MV-116T (16-port TX)	MV-101R
Maximum Distance	150m of Cat5e/6/7/8 UTP cable		
VGA Port	VGA-IN x 1, VGA-OUT x 1		VGA-OUT x 1
RJ-45 Port	RJ-45 x 8 (Output)	RJ-45 x 16 (Output)	RJ-45 x 1 (Input)
Power consumption	6.5W	10.5W	0.5W
Operating Temp	0 ~ 40 °C		
Humidity	0 ~ 80% Non-condensing		
Housing (mm)	190 (L) x 135(W) X 23 (H)		210 (L) x 35 (W) X 18 (H)
Weight	1040g		70g