

BE-616S

16-port CAT5 KVM Switch

The BE-616S CAT5 KVM Switch lets you access and control 16 separate servers and combine with innovative KVM Transmitter Dongles directly connects to each server, eliminating cable clutter and the need for multiple consoles. A single BE-616S can access and control up to 16 PCs.

Multiple BE-616S can be linked together and control/access up to 256 PCs.

The BE-616S 16-port CAT5 KVM Switch is a powerful, compact, cutting-edge, cost-effective rack mountable KVM switch. The 1U sized design features CAT5 cable to eliminate cable clutter, and powerful on-screen display (OSD) control and management. You can access and control up to 16 separate servers, or you can leverage installation by connecting to existing KVM units.





Features

- ❖ Remotely access and control up to 16 separate servers, from as far as 300 meters (1000 ft) away.
- ❖ By cascading a second level BE-616S units, up to 256 computers can be controlled.
- ❖ Supports DDC-2 protocol and DDC/CI auto screen adjustment.
- ❖ Totally flexible. Handles both USB and PS2 servers.
- ❖ Supports local console and remote access, for convenient control.
- ❖ Flexibility multiplied. Remote Console can be either USB or PS2 style, or both.
- ❖ Simple, On-Screen Display makes servers easy to access and control.
- ❖ Add a server at any time without interrupting other servers' operation.
- ❖ Future proof. Built in firmware upgradeability.
- ❖ Rack mounting kit included.

Specification

CAT5 KVM Switch		
Model No		BE-616S
Connectors	Monitor	HDD15F x1
	Keyboard	MiniDin6F x1
	Mouse	MiniDin6F x1
	USB Upgrade	Type B F x1
	System In	RJ-45 x 16
	Remote Console Link	RJ-45 x1
	Power	Jack x1
	LED Indicator	Dual color LED x 16
	Switch button	x 16
Control		OSD/KB
Inter-connect Cable		CAT5
System Cable		CAT5 (minimum), FTP Solid Wire 2x4x24 AWG, standard 568B RJ-45 connector
Distance		Server to KVM Switch: Up to 20 m (up to 66 ft.) KVM Switch to Remote Console: Up to 300 m (up to 1000 ft.)
Video		1600 x 1200 @ 60 Hz (subject to cable and VGA signal quality)
Environment	Operation Temperature	0 ~ 60°C
	Storage Temperature	-40 ~ 70°C
	Humidity	0 ~ 80% Non-condensing
Physical Properties	Material	Aluminum
	Weight	1375g
	Dimension	430mm(W) x 158mm(L) x 45mm(H)

Direct-plug KVM Transmitter

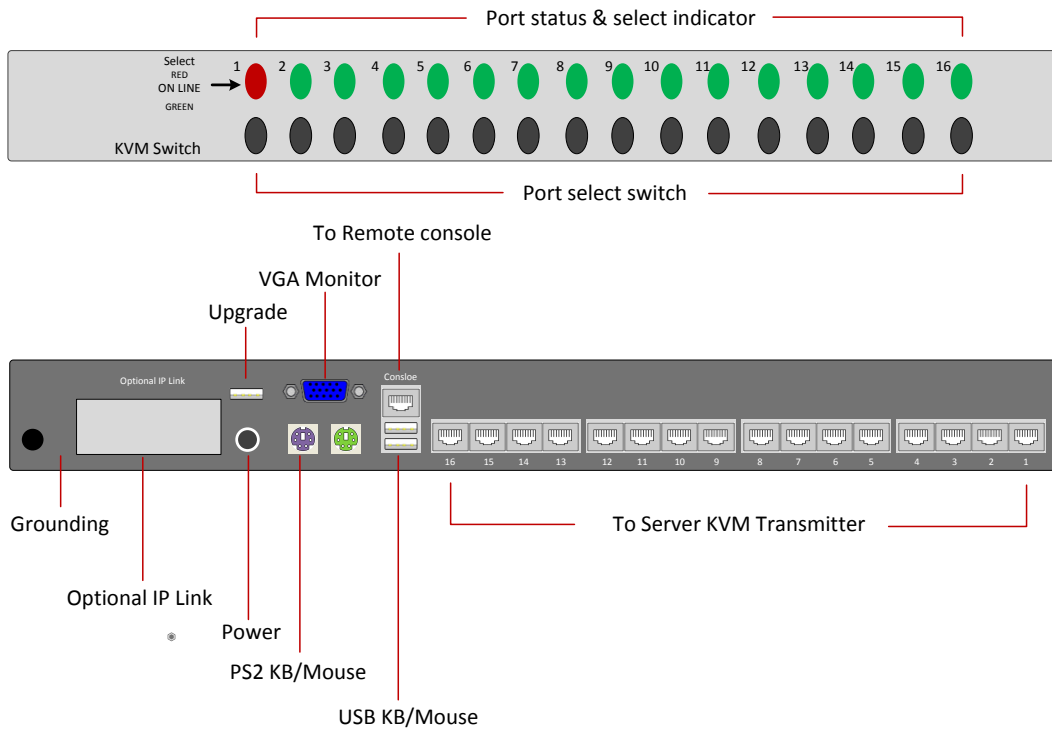
		BE-601UM	BE-601PM
Model No			
Connectors	System Out	RJ-45M x1	
	VGA In	HDD 15M x1	
	PS2 KB	N/A	MiniDin 6M x1
	PS2 Mouse	N/A	MiniDin 6M x1
	USB KB/Mouse	Type A (Male) x1	N/A
Power		From USB port 5V DC 200mA	From PS2 port 5V DC 200mA
System Cable		CAT5 (minimum), FTP Solid Wire 2x4x24 AWG	
Distance		Up to 20M (66 ft.)	
Video		1600 x1200 @60HZ	
Environment	Operation Temperature	0 ~ 60°C	
	Storage Temperature	-40 ~ 70°C	
	Humidity	0 ~ 80% Non-condensing	
Physical Properties	Material	Plastic	
	Weight	150g	
	Dimension	58L x 33W x 13H mm Total Cable length: 180 cm	

Remote Console Receiver



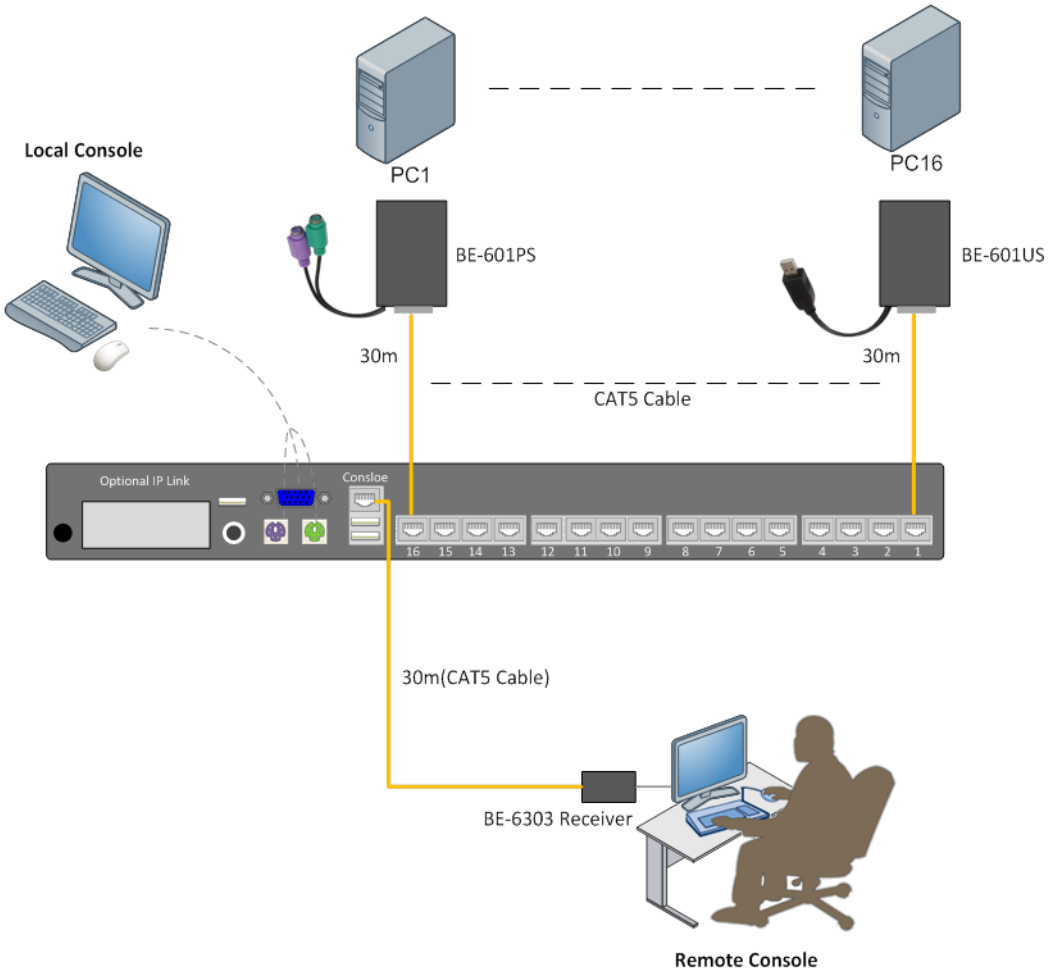
Model No		BE-6303-150R	BE-6303-300R
Connectors	System In	RJ-45 x1	
	VGA Out	HDD15F x1	
	PS2 KB/Mouse	MiniDin6F x 2	
	USB KB/Mouse	USB Type A x 2	
	Video Gain	Mini pot x 1	
	Video EQ	Mini pot x 1	
	Power	Jack x1	
System Cable		CAT5 (minimum), Solid Wire 2x4x24 AWG, standard RJ-45 connector	
Focus Control		OSD / Keyboard hotkey	
Video RGB Skew		Yes	
Distance		Up to 150M (500 ft.)	Up to 300M (1000 ft.)
Video support		1600 x1200 @60Hz (subject to cable and VGA signal quality)	
Power		External, 100~240VAC input; ±5VDC, max 6W output	
Environment	Operation Temperature	0 ~ 60°C	
	Storage Temperature	-40 ~ 70°C	
	Humidity	0 ~ 80% Non-condensing	
Physical Properties	Material	Metal	
	Weight	380g	
	Dimension	32(H) x 93(D) x 140(W) mm	

Front , Rear Panel View



Diagram

Single BE-616S Installation



Multiple BE-616S Installation access up to 256 PCs

